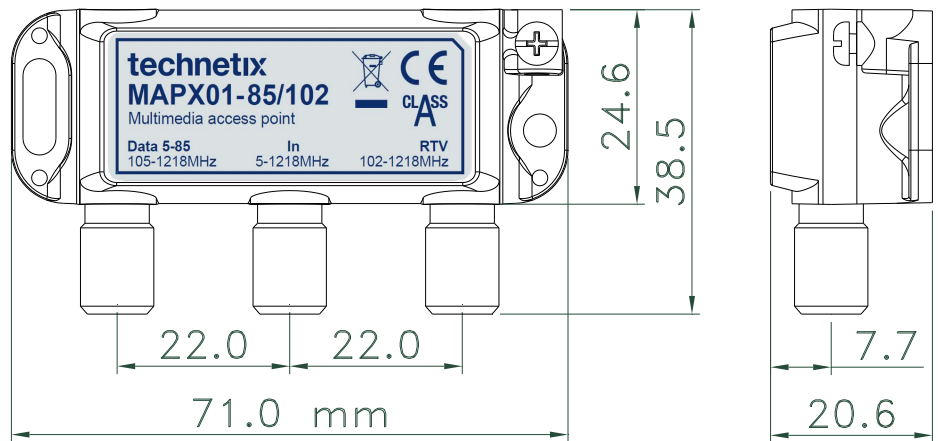


Specification Sheet

1218MHz Multimedia Access Point (Band Split 85/102MHz)

Customer **TECHNETIX**

Customer Model
MAPX01-85/102



Machanical Specification

1	Housing	Material : Zinc Die-casting	Finishing : CuSn Plated
2	Connector	"F" Female	
3	Net Weight	53 g	

Electrical Specification

Item	Description	Freq. Range (MHz)	MAPX01-85/102	
● ●	Insertion Loss	Input - RTV	5 ~ 85	45 dB min.
			102 ~ 120	6.5 dB max.
			120 ~ 1000	4.8 dB max.
			1000 ~ 1218	5.5 dB max.
		Input - Data	5 ~ 85	0.5 dB typ. 1.3 dB max.
			105 ~ 120	5.5 dB max.
			120 ~ 862	4.8 dB max.
			862 ~ 1000	4.8 dB max.
			1000 ~ 1218	5.5 dB max.
		●	Isolation	RTV - Data
102 ~ 120	20 dB min.			
120 ~ 1000	22 dB min.			
1000 ~ 1218	20 dB min.			
●	Return Loss	Input	5 ~ 85	18 dB *
			102 ~ 1218	18 dB *
		RTV	102 ~ 1218	18 dB *
		Data	5 ~ 85	20 dB min.
			105 ~ 1218	18 dB *
☆	Screening	(according to EN50083-2)	Class A+	
□	Impedance		75 Ω	

* at 40 MHz -1.5dB/ OCT.